

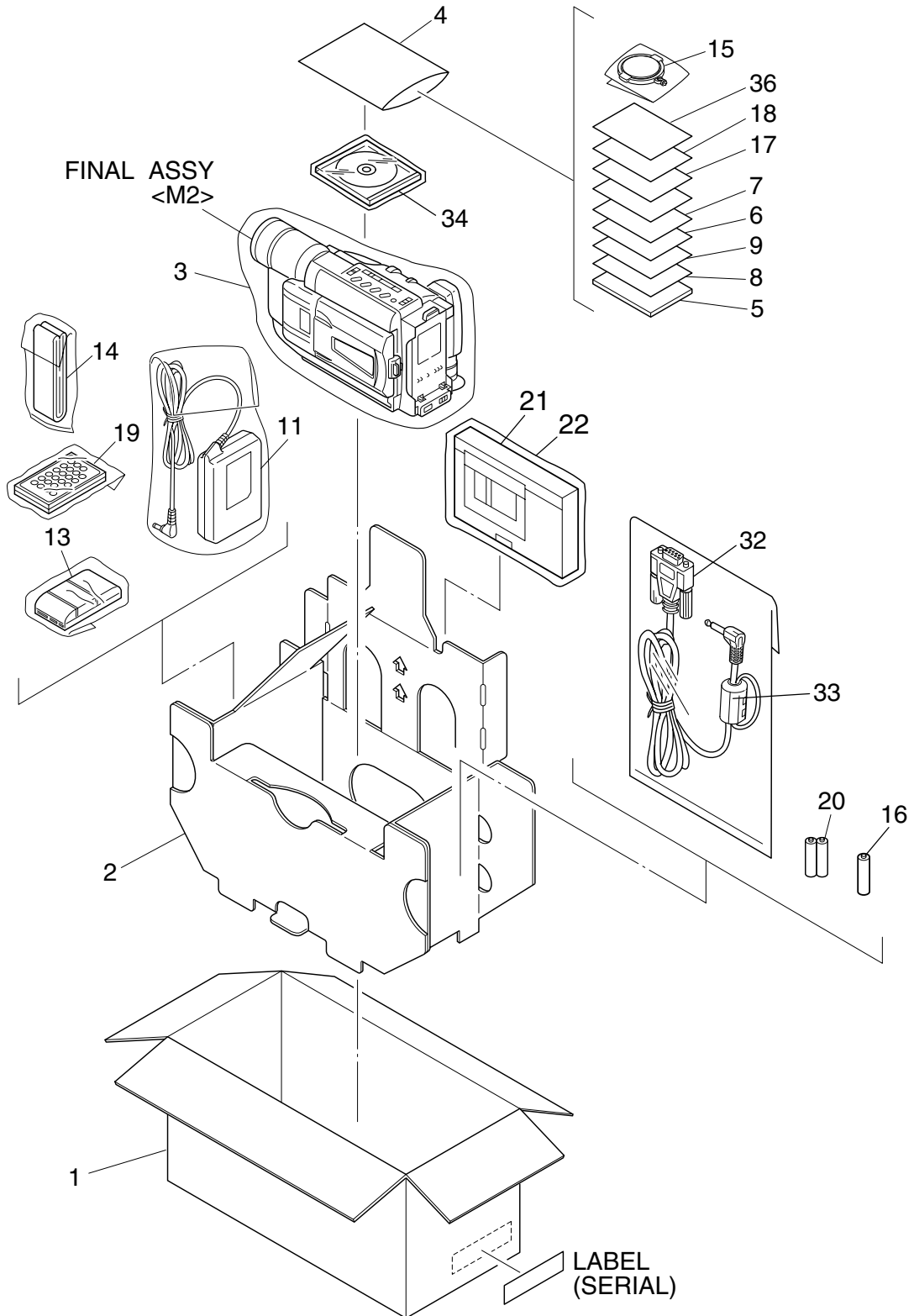
SECTION 5 PARTS LIST

SAFETY PRECAUTION

Parts identified by the  symbol are critical for safety. Replace only with specified part numbers.

5.1 PACKING AND ACCESSORY ASSEMBLY <M1>

The instruction manual to be provided with this product will differ according to the destination.



△ REF No. PART No. PART NAME, DESCRIPTION

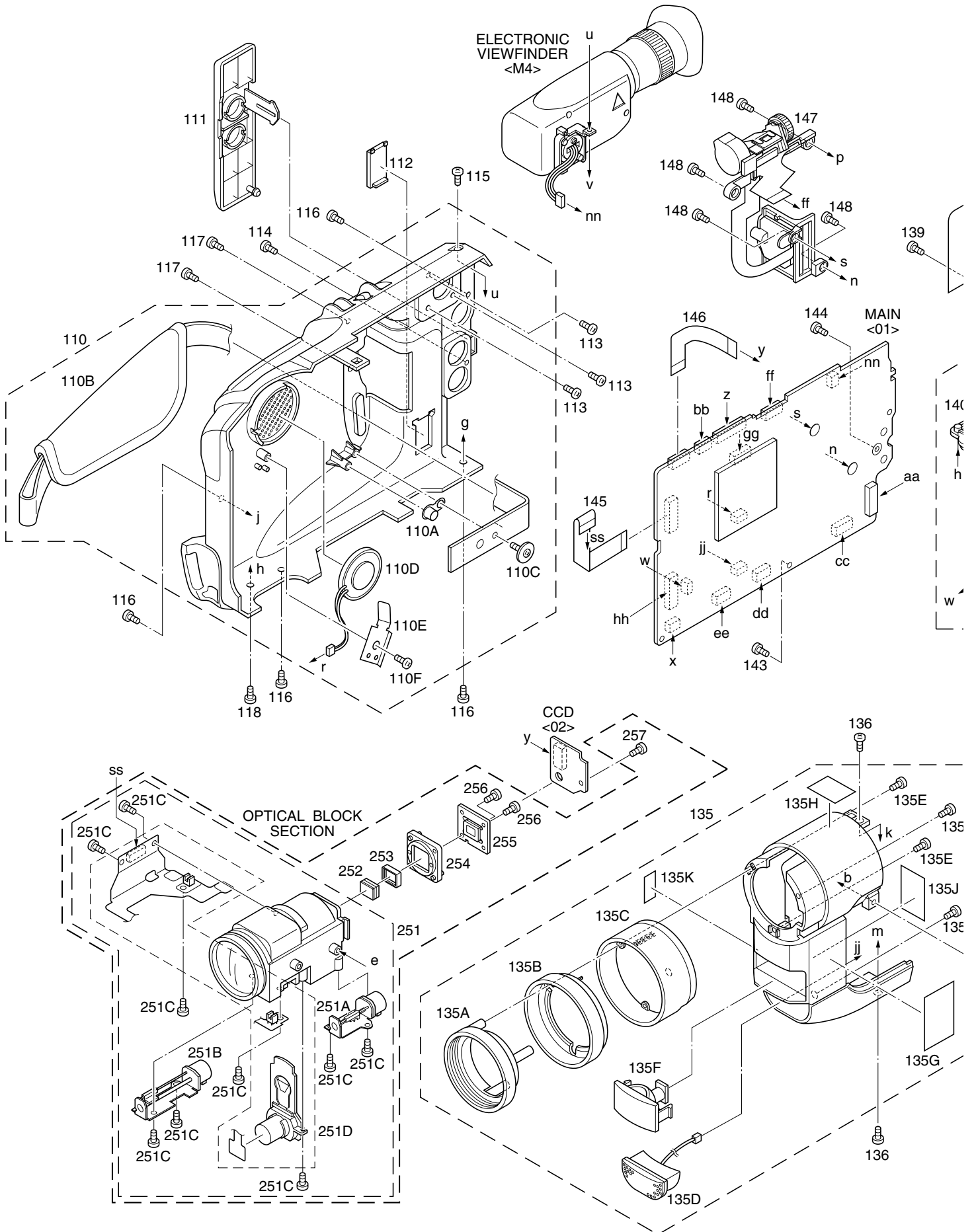
PACKING AND ACCESSORY ASSEMBLY <M1>

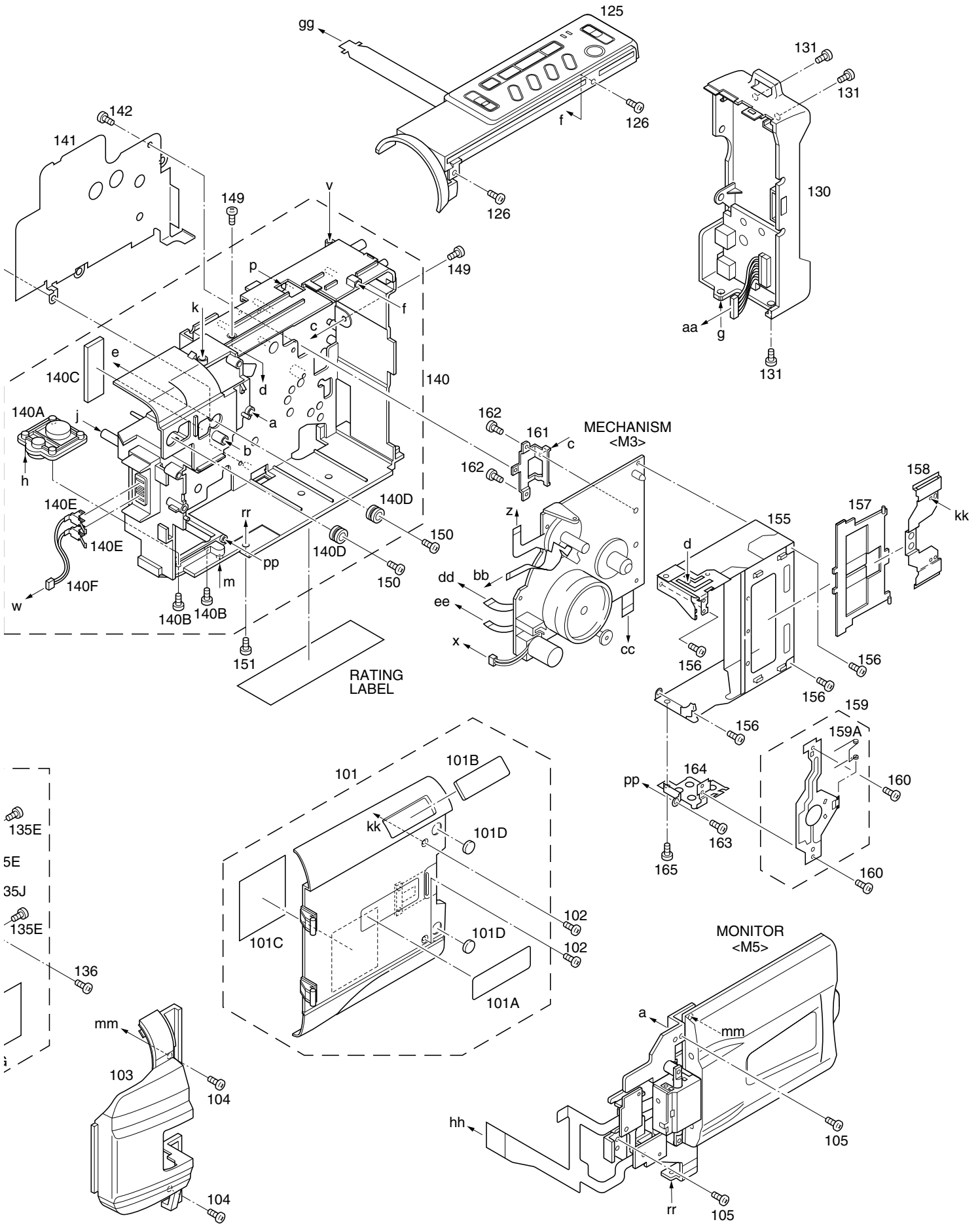
1	LY32545-001B	PACKING CASE,H
	LY32545-002A	PACKING CASE,C,D,E,F
	LY32545-003A	PACKING CASE,A,B,G
	LY32545-006B	PACKING CASE,J
2	LY32553-001A	CUSHION
3	LY30023-002A	POLY BAG
4	QPA02003506	POLY BAG
△ 5	LYT0880-001B	INST.BOOK(EN),C
△	LYT0898-001A	INST.BOOK(EN),G
△	LYT0899-001A	INST.BOOK(EN),J
△	LYT0900-001A	INST.BOOK(EN),A
△	LYT0900-002A	INST.BOOK(FR),A
△	LYT0902-001A	INST.BOOK(FR),H
△	LYT0902-002A	INST.BOOK(EN),H
△	LYT0925-001A	INST.BOOK(EN),D,E
△	LYT0925-002A	INST.BOOK(FR),E
△	LYT0986-001A	INST.BOOK(EN),B
△	LYT0986-002A	INST.BOOK(FR),B
△	LYT0987-001A	INST.BOOK(EN),F
△	LYT0987-002A	INST.BOOK(FR),F
6	BT-51028-1	REGIST.CARD,C,D,G,J
7	BT-51005-5	WARRANTY INF.,C,D,G,J
△ 8	LYT0862-001A	INST.BOOK(SOFT.EN),H,J
△	LYT0862-003A	INST.BOOK(SOFT.FR),H
9	LYT0934-001A	SHEET(AGREMENT),H,J
△ 11	LY20848-001B	AC ADAPTER,AP-V12U
△ 13	YQ10629A	BATTERY PACK ASSY,BN-V11U
14	LY20186-001A	SHOULDER STRAP
15	LY43388-001A	LENS CAP
16	-	BATTERY,AA(R6)
17	BT-52004-2	WARRANTY CARD,A,B,E,F,H
18	BT-20071B	SER.NET CARD,A,B,E,F,H
19	LY42129-001A	REMOTE CONTROL UNIT,RM-V715U,J
20	-	BATTERY,AAA(R03),X2,J
21	YQ31963B-3	CASSETTE ADAPTER,C-P7U
22	YQ43446	POLY BAG
32	QAM0384-001	PC CONNECTION CABLE,H,J
33	QQR1266-001	CORE FILTER,H,J
34	LY32210-020B	CD ROM ASSY,H,J
36	LYT0974-001A	SHEET(ATT.),H,J

MODEL	MARK
GR-AXM236UC	A
GR-AXM240UC	B
GR-SXM240U	C
GR-SXM245U	D
GR-SXM245UC	E
GR-SXM248UC	F
GR-AXM341U	G
GR-SXM540UC	H
GR-SXM745U	J

- **INSTRUCTIONS**
- EN ENGLISH
- FR FRENCH

5.2 FINAL ASSEMBLY <M2>





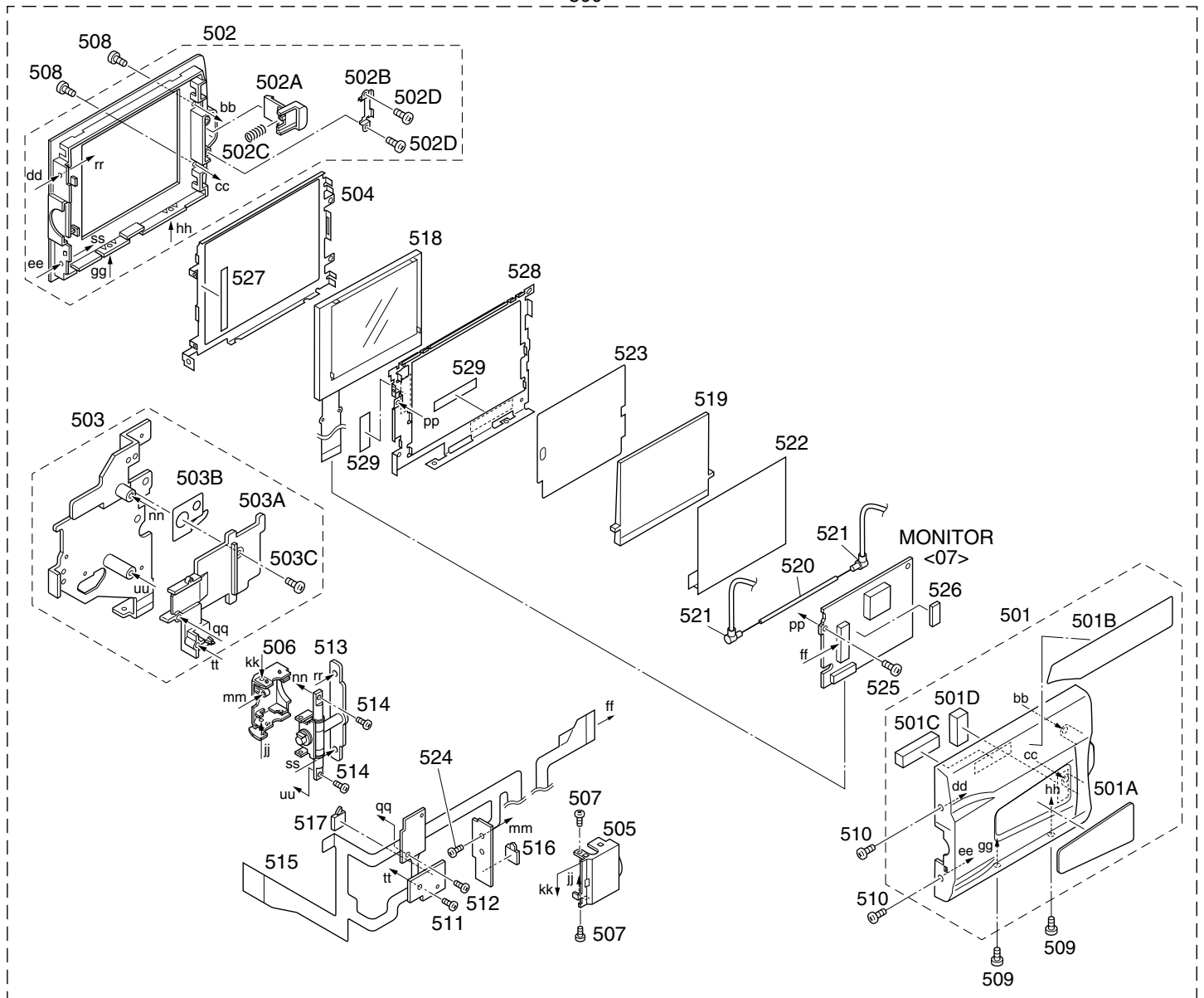
#	△ REF No.	PART No.	PART NAME, DESCRIPTION

FINAL ASSEMBLY <M2>			
101		LY20694-010A	CASSETTE COVER(M)ASSY,A,B,C,G
		LY20694-011A	CASSETTE COVER(M)ASSY,F,H
		LY20694-012A	CASSETTE COVER(M)ASSY,D,E
		LY20815-001B	CASSETTE COVER(M)ASSY,J
101A		LY40075-004A	LABEL/CAUTION
101B		LY42883-001A	MARK
101C		LY40559-001A	SHIELD SHEET
101D		LY40076-001A	SPACER,X2
102		QYSLSP2030D	SCREW,X2
103		LY10257-050A	UPPER CASE(M),G
		LY10257-051A	UPPER CASE(M),B
		LY10257-052A	UPPER CASE(M),H
		LY10257-062A	UPPER CASE(M),A
		LY10257-063A	UPPER CASE(M),D,E
		LY10257-069A	UPPER CASE(M),C
		LY10257-070A	UPPER CASE(M),J
		LY10257-072A	UPPER CASE(M),F
104		QYSLSP2030D	SCREW,X2
105		QYSLSF2060D	SCREW,X2
110		LY20684-005A	LOWER CASE ASSY,A,B,G
		LY20684-022A	LOWER CASE ASSY,C,D,E,F
		LY20684-023A	LOWER CASE ASSY,H,J
110A		LY40081-001A	CAP
110B		LY20682-001A	GRIP BELT
110C		LY30018-003A	SPECIAL SCREW
110D		QAS0061-001	SPEAKER
110E		LY42764-001B	HOLDER(SPEAKER)
110F		QYSLSF2050Z	SCREW
111		LY31945-003A	COVER(JACK)
112		LY31946-001A	COVER(JIG)
113		QYSLSF2050Z	SCREW,X3
114		QYSLSF2060D	SCREW
115		QYSLSF2060D	SCREW
116		QYSLSF2060D	SCREW,X4
117		QYSLSF2060D	SCREW,X2
118		QYSLSF2060D	SCREW
125		LY20614-001C	TOP OPE UNIT,F
		LY20614-004C	TOP OPE UNIT,A
		LY20614-009C	TOP OPE UNIT,H,J
		LY20614-010C	TOP OPE UNIT,B,C,G
		LY20614-020B	TOP OPE UNIT,D,E
126		QYSLSF2060D	SCREW,X2
130		LY20615-005E	REAR UNIT,A,B,C,D,E,F,G
		LY20615-007B	REAR UNIT,H
		LY20764-010A	REAR UNIT,J
131		QYSLSF2060D	SCREW,X3
135		LY20683-034A	FRONT COVER ASSY,B,C,G
		LY20683-035A	FRONT COVER ASSY,H,J
		LY20683-038A	FRONT COVER ASSY,A
		LY20683-039A	FRONT COVER ASSY,D,E
		LY20683-054A	FRONT COVER ASSY,F
135A		LY31937-001A	HOOD
135B		LY31938-001A	COVER(HOOD)
135C		LY31936-001A	RING
135D		LY32482-001A	MICROPHONE
135E		QYSLSF2060D	SCREW,X4
135F		LY32040-001A	DC LIGHT,B,C,D,E,F,G,H,J
		LY30934-017A	COVER(LIGHT),A
135G		LY32058-001A	STICKER(A),A
		LY32058-002A	STICKER(A),B,C,D,E,F,G
		LY32058-003A	STICKER(A),H,J

#	△ REF No.	PART No.	PART NAME, DESCRIPTION
		135H	LY32060-003A STICKER(C),H,J
			LY32060-005A STICKER(C),A,B,C,D,E,F,G
		135J	LY30029-0B4A SPACER(A),B,C,D,E,F,G,H,J
△		135K	YQ44341-6 CAUTION LABEL,B,C,D,E,F,G,H,J
		136	QYSLSF2060D SCREW,X3
		139	QYSPSTU1725M SCREW
		140	LY20832-001B FRAME ASSY,B,C,D,E,F,G,H,J
			LY20832-002B FRAME ASSY,A
		140A	YQ31843 BASE
		140B	QYSLSF2060D SCREW,X2
		140C	LY30029-0A4A SPACER(A)
		140D	LY41082-001A CUSHION(OP),X2
		140E	YQ43810-1-1 CONTACT(LIGHT),X2,B,C,D,E,F,G,H,J
		140F	WJM0259-001A E-SI C WIRE C-F,FRAME-MAIN CN6,B,C,D,E,F,G,H,J
		141	LY32327-001A SHIELD CASE(MAIN)
		142	QYSPSPU1720Z SCREW
		143	QYSLSF2060D SCREW
		144	QYSLSF2060D SCREW
		145	WJT0072-001A E-CARD WIRE,OP-MAIN CN15
		146	QAL0389-001 FPC,MAIN CN22-CCD CN5301
		147	LY20613-001B ZOOM UNIT
		148	QYSLSF2060D SCREW,X4
		149	LY41173-001A SPECIAL SCREW,X2
		150	LY30018-050A SPECIAL SCREW,X2
		151	QYSLSP2030D SCREW
		155	LY31808-001C CASSETTE HOUSING FINAL ASSY
		156	LY42722-003A SCREW,X4
		157	LY30176-001A CASSETTE COVER INSIDE
		158	LY31956-001A BRACKET(CASSETTE COVER)
		159	LY31790-001A FRONT FRAME ASSY
		159A	YQ44144-1-1 TAPE GUIDE
		160	SPSH1725M SCREW,X2
		161	LY32326-001A BRACKET(MECHA)
		162	LY42722-003A SCREW,X2
		163	QYSLSF1750D SCREW
		164	LY31807-001A SIDE BRACKET L
		165	LY42722-003A SCREW
- OPTICAL BLOCK SECTION -			
		251	LY30948-003A OP BLOCK ASSY
		251A	PTY30948-002 FOCUS MOTOR
		251B	PTY30948-301 ZOOM MOTOR
		251C	PTY30151-016 TAPPING SCREW,X9
		251D	PTY30948-006 IRIS MOTOR UNIT
		252	LY41757-001A OPTICAL LPF
		253	LY31441-001A SPACER RUBBER
		254	LY20346-001A CCD SPACER
		255	LYH30374-002A CCD BASE ASSY
		256	QYSPSGU2080Z SCREW,X2
		257	LY30018-072A SPECIAL SCREW

5.3 MONITOR ASSEMBLY <M5> [GR-AXM341U, SXM540UC]

500



#	△ REF No.	PART No.	PART NAME, DESCRIPTION

MONITOR ASSEMBLY <M5>			
△	500	LY20836-010A	MONITOR ASSY,SXM540UC
△		LY20836-012A	MONITOR ASSY,AXM341U
△	501	LY20834-005A	MONITOR COVER ASSY,AXM341U
△		LY20834-007A	MONITOR COVER ASSY,SXM540UC
	501A	LY32329-001A	PLATW(WINDOW),AXM341U
		LY32329-002A	PLATE(WINDOW),SXM540UC
	501B	LY32554-003A	STICKER(B),SXM540UC
		LY32554-004A	STICKER(B),AXM341U
	501C	LY30029-0R3A	SPACER(A)
	501D	LY30029-0R4A	SPACER(A)
	502	LY32035-001A	MONITOR CASE(3)ASSY
	502A	LY31954-001A	KNOB(LOCK)
	502B	LY42760-001A	BRACKET(LOCK)
	502C	LY30002-043A	COMPRESSION SPRING
	502D	LY30018-063A	SPECIAL SCREW,X2
	503	LY32034-003A	BRACKET(UPPER)ASSY
	503A	LY20652-003A	HOLDER
	503B	LY42761-001A	EARTH PLATE
	503C	QYSLSP2025D	SCREW
	504	LY32332-001A	SHIELD CASE(3)
	505	LY31939-001A	HINGE COVER(UPPER),SXM540UC

#	△ REF No.	PART No.	PART NAME, DESCRIPTION
		LY31939-003A	HINGE COVER(UPPER),AXM341U
	506	LY31940-001A	HINGE COVER(LOWER)
	507	LY30018-0C9A	SPECIAL SCREW,X2
	508	LY30018-052A	SPECIAL SCREW,X2
	509	LY30018-0C9A	SPECIAL SCREW,X2
	510	LY30018-0C5A	SPECIAL SCREW,X2
	511	QYLSLF2040D	SCREW
	512	QYSLSP2070D	SCREW
	513	LY31957-001A	HINGE ASSY
	514	LY30018-090A	SPECIAL SCREW,X2
	515	QAL0391-001	FPC
	516	NSW0095-001X	DETECT SWITCH,REVERSE
	517	NSW0105-001X	DETECT SWITCH,OPEN
	518	QLD0213-001	LCD MODULE
	519	LY43391-001A	LIGHT SCREEN
	520	QLL0111-001	LAMP
	521	LY43394-001A	HOLDER,X2
	522	LY43395-001A	SHEET
	523	LY43363-001A	DIFFUSION SHEET(3)
	524	LY30018-063A	SPECIAL SCREW
	525	LY30018-0C9A	SPECIAL SCREW
	526	LY30016-049A	SPACER-A
	527	LY30029-0R6A	SPACER(A)
	528	LY32333-001A	LCD FRAME(3)
	529	LY30029-0R5A	SPACER(A),X2

(Sanwa)-M2A622/A623/A633/C623/C833/C845
 GR-AXM236UC,AXM240UC,SXM240U,SXM245U/UC,
 SXM248UC,AXM341U,SXM540UC,SXM745U